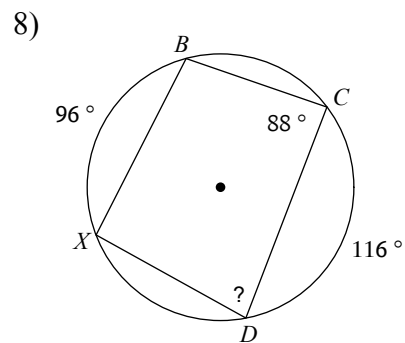
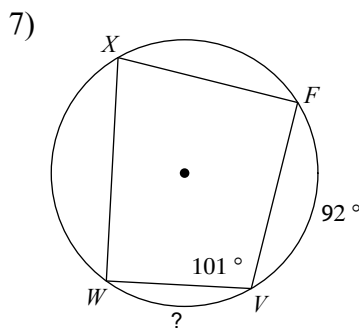
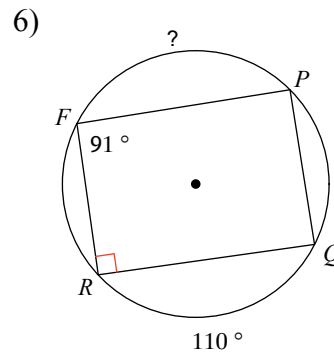
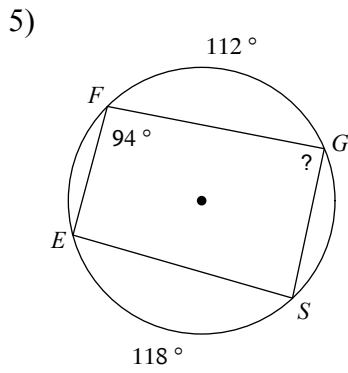
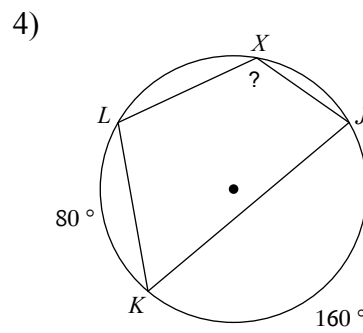
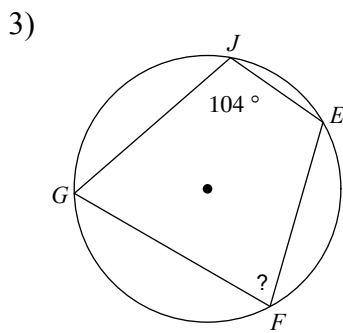
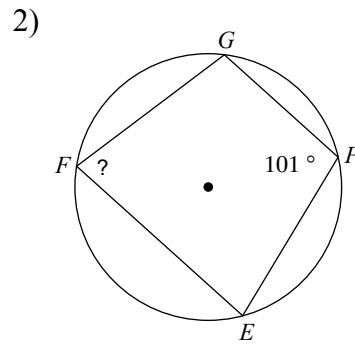
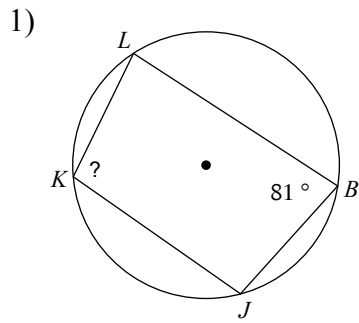


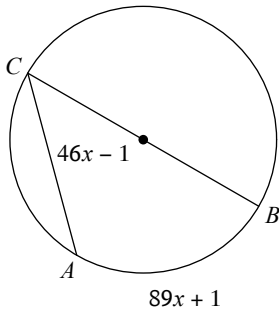
Assignment

Find the measure of the arc or angle indicated.

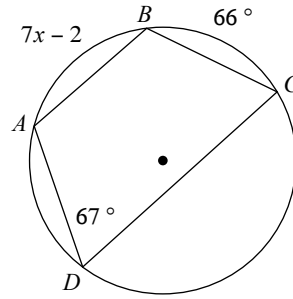


Solve for x .

9)

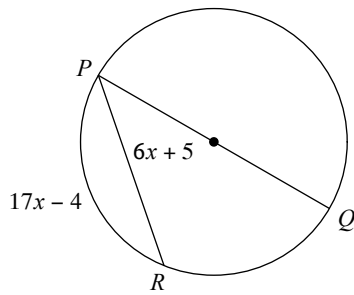


10)

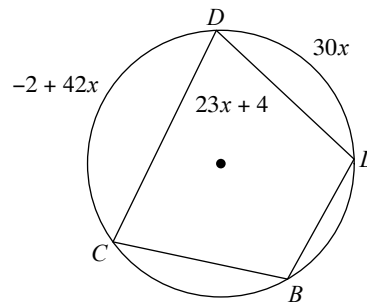


Find the measure of the arc or angle indicated.

11) Find $m\angle QPR$

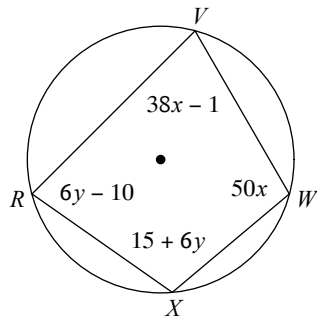


12) Find $m\widehat{CD}$

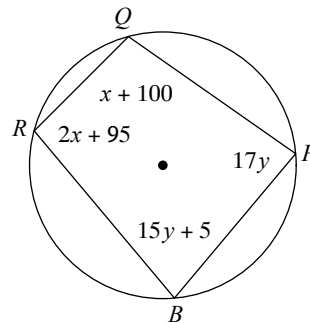


Solve for x and y .

13)

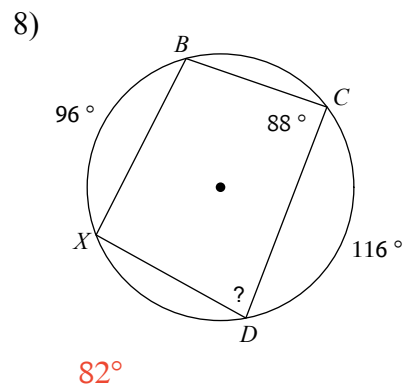
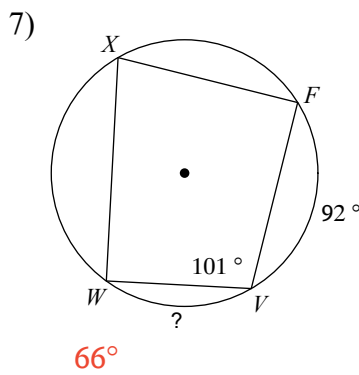
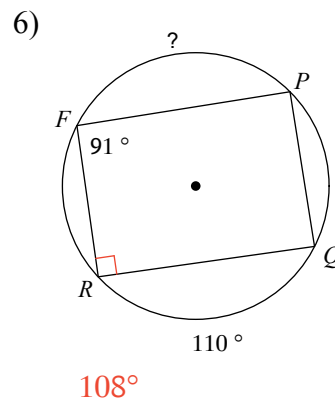
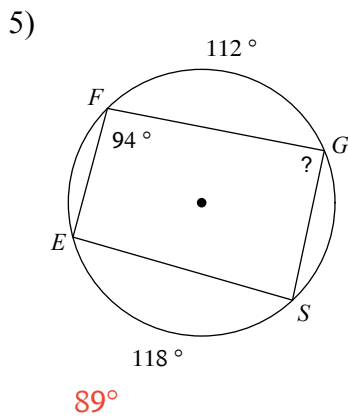
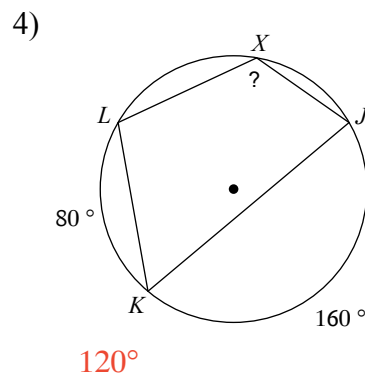
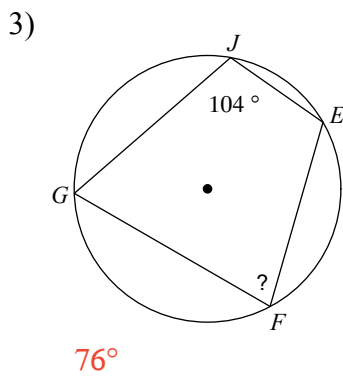
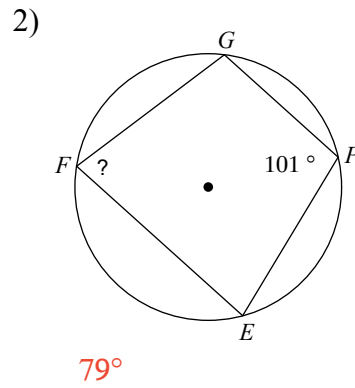
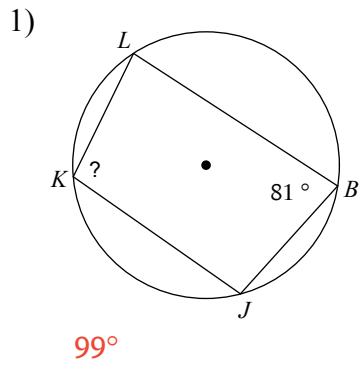


14)



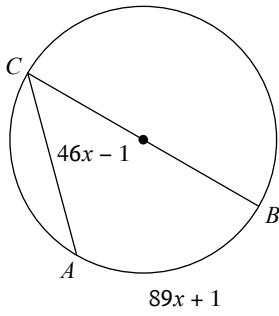
Assignment

Find the measure of the arc or angle indicated.



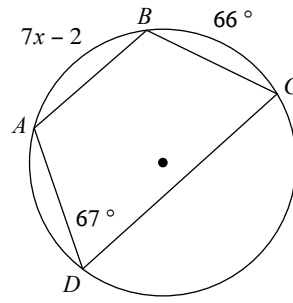
Solve for x .

9)



1

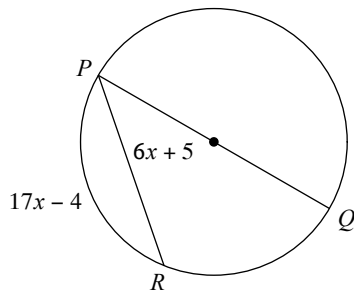
10)



10

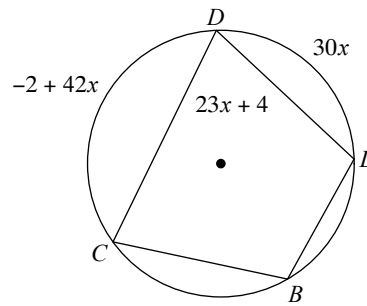
Find the measure of the arc or angle indicated.

11) Find $m\angle QPR$



41°

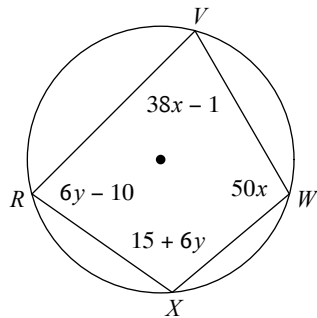
12) Find $m\widehat{CD}$



124°

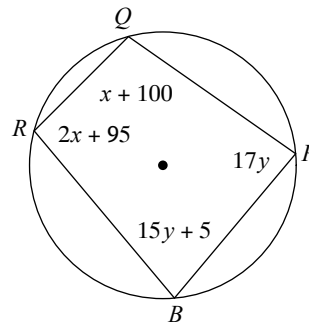
Solve for x and y .

13)



$x = 2, y = 15$

14)



$x = 0, y = 5$